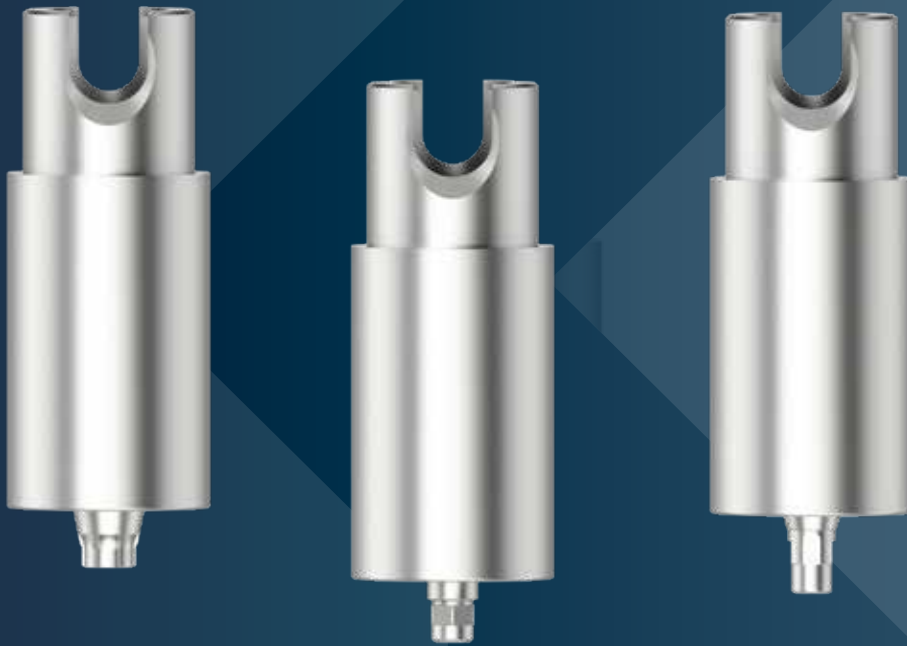


» Passion  
for **Precision** «



**MPS**

Multi Platform Systems

TI-FORMS  
ABUTMENT

for **M series**

 **MEDENTIKA**<sup>®</sup>  
A Straumann Group Brand

# »» TI-Forms Abutment for M series ««

The TI-Forms Abutments for Straumann M series are titanium abutment blanks with prefabricated connection geometries for in-house fabrication of individual, one-piece titanium abutments.



## Your Benefits

- Time and cost saving by prefabricated milling blanks
- Precise due to industrially prefabricated implant connection geometries

## » E-Series « Nobel Biocare NobelReplace®\* Tapered

### TI-Forms-Abutment for M series

- Titanium Grade 5 CF
- incl. abutment screw
- Recommended torque: 35 Ncm



Implant connection	NP 3,5	RP 4,3	WP 5,0
Diameter	11,5 mm	11,5 mm	11,5 mm
Abutment screw	E 60	E 61	E 61
Laboratory screw	E 60 L	E 61 L	E 61 L
Article No.	E 9000-ST	E 9010-ST	E 9020-ST

Please note: This is intended to be used with the Straumann M-Series.

## » F-Series « Nobel Biocare NobelActive®\* NobelReplace®\* Conical

### TI-Forms-Abutment for M series

- Titanium Grade 5 CF
- incl. abutment screw
- Recommended torque:  
15 Ncm: D 3,0  
35 Ncm: NP 3,5  
35 Ncm: RP 4,3/5,0



Implant connection	D 3,0	NP 3,5	RP 4,3/5,0
Diameter	11,5 mm	11,5 mm	11,5 mm
Abutment screw	F 66	F 60	F 61
Laboratory screw	F 66 L	F 60 L	F 61 L
Article No.	F 9020-ST	F 9000-ST	F 9010-ST

Please note: This is intended to be used with the Straumann M-Series.

## » H-Series « BIOMET 3i Certain®\*

### TI-Forms-Abutment for M series

- Titanium Grade 5 CF
- incl. abutment screw
- Recommended torque: 20 Ncm



Implant connection	D 3,4	D 4,1	D 5,0
Diameter	11,5 mm	11,5 mm	11,5 mm
Abutment screw	H 60	H 60	H 60
Laboratory screw	H 60 L	H 60 L	H 60 L
Article No.	H 9000-ST	H 9010-ST	H 9020-ST

Please note: This is intended to be used with the Straumann M-Series.

# I-Series

BIOMET 3i External Hex

TI-Forms-Abutment  
for M series

- Titanium Grade 5 CF
- incl. abutment screw
- Recommended torque: 35 Ncm



Implant connection	D 3,4	RP 4,1	D 5,0
Diameter	11,5 mm	11,5 mm	11,5 mm
Abutment screw	I 61	I 61	I 61
Laboratory screw	I 61 L	I 61 L	I 61 L
Article No.	I 9000-ST	I 9010-ST	I 9020-ST

Please note: This is intended to be used with the Straumann M-Series.

# K-Series

Nobel Biocare Brånemark System®\*\*

TI-Forms-Abutment  
for M series

- Titanium Grade 5 CF
- incl. abutment screw
- Recommended torque: 35 Ncm



Implant connection	NP 3,5	RP 4,1	WP 5,1
Diameter	11,5 mm	11,5 mm	11,5 mm
Abutment screw	K 60	K 61	K 62
Laboratory screw	K 60 L	K 61 L	K 62 L
Article No.	K 9000-ST	K 9010-ST	K 9020-ST

Please note: This is intended to be used with the Straumann M-Series.

# N-Series

Straumann Tissue Level

TI-Forms-Abutment  
for M series

- Titanium Grade 5 CF
- incl. abutment screw
- Recommended torque: 35 Ncm



Implant connection	NNC 3,5	RN 4,8	WN 6,5
Diameter	11,5 mm	11,5 mm	11,5 mm
Abutment screw	N 65	N 62	N 62
Laboratory screw	N 65 L	N 62 L	N 62 L
Article No.	N 9030-ST	N 9010-ST	N 9020-ST

Please note: This is intended to be used with the Straumann M-Series.

## » R-Series « Zimmer Dental Tapered Screw-Vent®\*

### TI-Forms-Abutment for M series

- Titanium Grade 5 CF
- incl. abutment screw
- Recommended torque: 30 Ncm



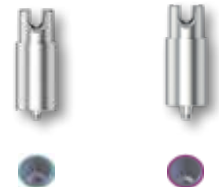
Implant connection	D 3,5	D 4,5	D 5,7
Diameter	11,5 mm	11,5 mm	11,5 mm
Abutment screw	R 60	R 60	R 60
Laboratory screw	R 60 L	R 60 L	R 60 L
Article No.	R 9000-ST	R 9010-ST	R 9020-ST

Please note: This is intended to be used with the Straumann M-Series.

## » S-Series « DENTSPLY Implants ASTRA TECH OsseoSpeed®\* TX

### TI-Forms-Abutment for M series

- Titanium Grade 5 CF
- incl. abutment screw
- Recommended torque:  
20 Ncm: D 3,5/4,0  
25 Ncm: D 4,5/5,0



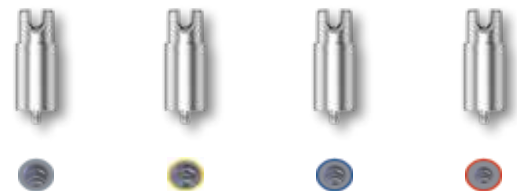
Implant connection	D 3,5/4,0	D 4,5/5,0
Diameter	11,5 mm	11,5 mm
Abutment screw	S 60	S 61
Laboratory screw	S 60 L	S 61 L
Article No.	S 9000-ST	S 9020-ST

Please note: This is intended to be used with the Straumann M-Series.

## » T-Series « DENTSPLY Implants XiVE®\* S

### TI-Forms-Abutment for M series

- Titanium Grade 5 CF
- incl. abutment screw
- Recommended torque: 25 Ncm



Implant connection	D 3,4	D 3,8	D 4,5	D 5,5
Diameter	11,5 mm	11,5 mm	11,5 mm	11,5 mm
Abutment screw	T 60	T 60	T 60	T 60
Laboratory screw	T 60 L	T 60 L	T 60 L	T 60 L
Article No.	T 9000-ST	T 9005-ST	T 9010-ST	T 9020-ST

Please note: This is intended to be used with the Straumann M-Series.





Distributed by Straumann USA

MEDENTiKA®

A Straumann Group Brand

60 Minuteman Road

Andover, MA 01810

Phone 800/448 8168 (US)

Fax 978/747 2490

[www.medentika.us](http://www.medentika.us)

USLIT.2056 8/19 V1 PMR

[medentika.us/ifu](http://medentika.us/ifu)

» Passion for  
**Precision** «

© MEDENTiKA® 2019. All rights reserved.

MEDENTiKA® and/or other trademarks and logos from MEDENTiKA® that are mentioned herein are the trademarks or registered trademarks of MEDENTiKA® and/or its affiliates. All rights reserved.

Products indicated with ® are registered brand names of respective manufacturers.