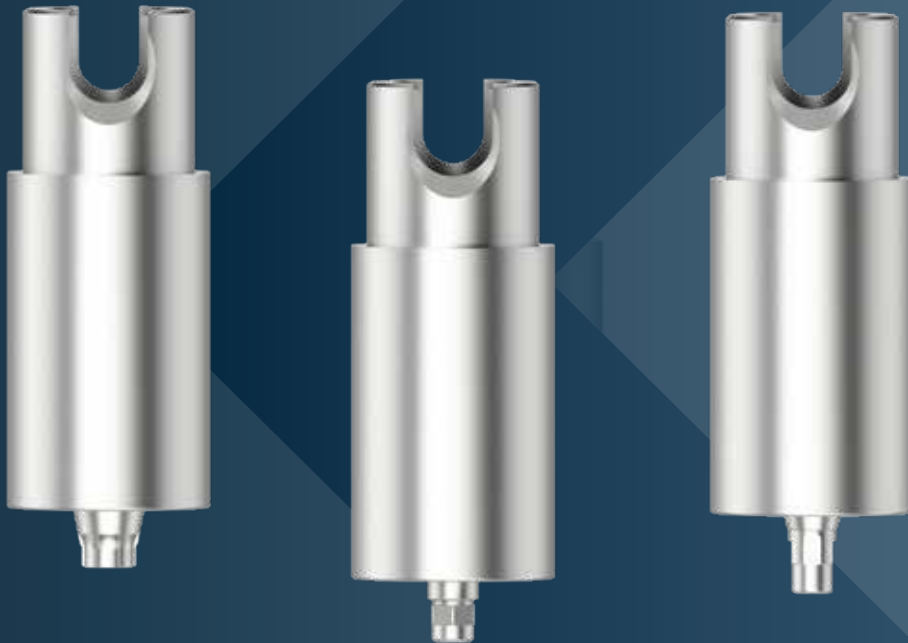


» Passion
for **Precision** «



TI-FORMS
ABUTMENT
for M series

 **MEDENTIKA**[®]
A Straumann Group Brand

»» Welcome to MEDENTiKA® ««

Anyone who meets MEDENTiKA® personnel will get to know a Team. A team that since the foundation of the company collectively contributes knowledge and experience. A team that perfects products with élan. A team passionate about their work.

MEDENTiKA® has character. And it is this character that now forms the basis for morally sound handling. In a world that is becoming more and more subject to the laws which drive market forces, we feel that this position is not only right but important. What characterises MEDENTiKA® is also our belief in the power of our ideas and in the innovative strength of our products. We are MEDENTiKA® – and if the MEDENTiKA® label is on the packet, there is more than an implant component inside: we provide you with the knowledge and experience we have been incorporating in our products since the foundation of MEDENTiKA®. We offer our customers our élan, which we use to perfect our products on a daily basis. We take this task seriously and we also embrace it with passion.

The result is that our customers receive an original implant manufactured with the highest interface precision with an extremely wide range of prosthetics. This catalogue reflects our attitude in every single product.

Our implants and prosthetic components open up new, even more diverse restoration options and provide your patients with greater comfort and increased functionality.

With this in mind: we look forward to seeing you again!

Thomas Jaberg » Bernd Gaddum »
and the entire MEDENTiKA® team

»» TI-Forms-Abutment for M series ««

The TI-Forms Abutments for Straumann M series are titanium abutment blanks with prefabricated connection geometries for in-house fabrication of individual, one-piece titanium abutments.



Your Benefits

- Time and cost saving by prefabricated milling blanks
- Safe and precise due to industrially prefabricated implant connection geometries
- High biokompatibility due to the proven material

» B-Series « Bredent Medical SKY®*

TI-Forms-Abutment for M-Series

- Titanium Grade 5 CF
- incl. abutment screw
- Recommended torque: 25 Ncm



Implant connection	NP
Diameter	11,5 mm
Abutment screw	B 60
Laboratory screw	B 60 L
Article No.	B 9000-ST

Please note: This is used with Straumann/M-series.

» BS-Series « BEGO Implant Systems Semados®* S/RI/RS/RSX/SC/SCX

TI-Forms-Abutment for M-Series

- Titanium Grade 5 CF
- incl. abutment screw
- Recommended torque: 30 Ncm



Implant connection	D 3,25-5,5
Diameter	11,5 mm
Abutment screw	BS 60
Laboratory screw	BS 60 L
Article No.	BS 9000-ST

Please note: This is used with Straumann/M-series.

» C-Series « Altatec Camlog®* / MEDENTIKA® Procone

TI-Forms-Abutment for M-Series

- Titanium Grade 5 CF
- incl. abutment screw
- Recommended torque: 20 Ncm



Implant connection	D 3,3	D 3,8	D 4,3	D 5,0	D 6,0
Diameter	11,5 mm	11,5 mm	11,5 mm	11,5 mm	11,5 mm
Abutment screw	C 61	C 61	C 61	C 62	C 62
Laboratory screw	C 61 L	C 61 L	C 61 L	C 62 L	C 62 L
Article No.	C 9000-ST	C 9010-ST	C 9020-ST	C 9030-ST	C 9040-ST

Please note: This is used with Straumann/M-series.

» CX-Series « Medentis Medical ICX

TI-Forms-Abutment for M-Series

- Titanium Grade 5 CF
- incl. abutment screw
- Recommended torque: 30 Ncm



Implant connection	D 3,75-4,8
Diameter	11,5 mm
Abutment screw	CX 60
Laboratory screw	CX 60 L
Article No.	CX 9000-ST

Please note: This is used with Straumann/M-series.

» D-Series « Altatec Conelog®*

TI-Forms-Abutment for M-Series

- Titanium Grade 5 CF
- incl. abutment screw
- Recommended torque: 20 Ncm



Implant connection	D 3,3	D 3,8/4,3
Diameter	11,5 mm	11,5 mm
Abutment screw	D 60	D 60
Laboratory screw	D 60 L	D 60 L
Article No.	D 9000-ST	D 9010-ST

Please note: This is used with Straumann/M-series.

» E-Series « Nobel Biocare NobelReplace®* Tapered

TI-Forms-Abutment for M-Series

- Titanium Grade 5 CF
- incl. abutment screw
- Recommended torque: 35 Ncm



Implant connection	NP 3,5	RP 4,3	WP 5,0
Diameter	11,5 mm	11,5 mm	11,5 mm
Abutment screw	E 60	E 61	E 61
Laboratory screw	E 60 L	E 61 L	E 61 L
Article No.	E 9000-ST	E 9010-ST	E 9020-ST

Please note: This is used with Straumann/M-series.

EV-Series

DENTSPLY Implants
ASTRA TECH OsseoSpeed®* EV

TI-Forms-Abutment for M-Series

- Titanium Grade 5 CF
- incl. abutment screw
- Recommended torque: 25 Ncm



Implant connection	D 3,0	D 3,6	D 4,2	D 4,8	D 5,4
Diameter	11,5 mm	11,5 mm	11,5 mm	11,5 mm	11,5 mm
Abutment screw	EV 60	EV 61	EV 62	EV 63	EV 63
Laboratory screw	EV 60 L	EV 61 L	EV 62 L	EV 63 L	EV 63 L
Article No.	EV 9000-ST	EV 9010-ST	EV 9020-ST	EV 9030-ST	EV 9040-ST

Please note: This is used with Straumann/M-series.

I-Series

BIOMET 3i External Hex

TI-Forms-Abutment for M-Series

- Titanium Grade 5 CF
- incl. abutment screw
- Recommended torque: 35 Ncm



Implant connection	D 3,4	RP 4,1	D 5,0
Diameter	11,5 mm	11,5 mm	11,5 mm
Abutment screw	I 61	I 61	I 61
Laboratory screw	I 61 L	I 61 L	I 61 L
Article No.	I 9000-ST	I 9010-ST	I 9020-ST

Please note: This is used with Straumann/M-series.

F-Series

Nobel Biocare NobelActive®*
NobelReplace®* Conical

TI-Forms-Abutment for M-Series

- Titanium Grade 5 CF
- incl. abutment screw
- Recommended torque:
15 Ncm: D 3,0
35 Ncm: NP 3,5
35 Ncm: RP 4,3/5,0



Implant connection	D 3,0	NP 3,5	RP 4,3/5,0
Diameter	11,5 mm	11,5 mm	11,5 mm
Abutment screw	F 66	F 60	F 61
Laboratory screw	F 66 L	F 60 L	F 61 L
Article No.	F 9020-ST	F 9000-ST	F 9010-ST

Please note: This is used with Straumann/M-series.

K-Series

Nobel Biocare Brånemark System®*

TI-Forms-Abutment for M-Series

- Titanium Grade 5 CF
- incl. abutment screw
- Recommended torque: 35 Ncm



Implant connection	NP 3,5	RP 4,1	WP 5,1
Diameter	11,5 mm	11,5 mm	11,5 mm
Abutment screw	K 60	K 61	K 62
Laboratory screw	K 60 L	K 61 L	K 62 L
Article No.	K 9000-ST	K 9010-ST	K 9020-ST

Please note: This is used with Straumann/M-series.

H-Series

BIOMET 3i Certain®*

TI-Forms-Abutment for M-Series

- Titanium Grade 5 CF
- incl. abutment screw
- Recommended torque: 20 Ncm



Implant connection	D 3,4	D 4,1	D 5,0
Diameter	11,5 mm	11,5 mm	11,5 mm
Abutment screw	H 60	H 60	H 60
Laboratory screw	H 60 L	H 60 L	H 60 L
Article No.	H 9000-ST	H 9010-ST	H 9020-ST

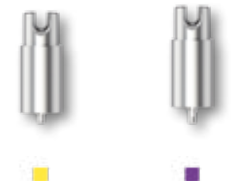
Please note: This is used with Straumann/M-series.

L-Series

Straumann Bone Level

TI-Forms-Abutment for M-Series

- Titanium Grade 5 CF
- incl. abutment screw
- Recommended torque: 35 Ncm



Implant connection	NC 3,3	RC 4,1/4,8
Diameter	11,5 mm	11,5 mm
Abutment screw	L 60	L 60
Laboratory screw	L 60 L	L 60 L
Article No.	L 9000-ST	L 9010-ST

Please note: This is used with Straumann/M-series.

» N-Series « Straumann Tissue Level

TI-Forms-Abutment for M-Series

- Titanium Grade 5 CF
- incl. abutment screw
- Recommended torque: 35 Ncm



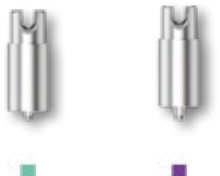
Implant connection	NNC 3,5	RN 4,8	WN 6,5
Diameter	11,5 mm	11,5 mm	11,5 mm
Abutment screw	N 65	N 62	N 62
Laboratory screw	N 65 L	N 62 L	N 62 L
Article No.	N 9030-ST	N 9010-ST	N 9020-ST

Please note: This is used with Straumann/M-series.

» S-Series « DENTSPLY Implants ASTRA TECH OsseoSpeed®* TX

TI-Forms-Abutment for M-Series

- Titanium Grade 5 CF
- incl. abutment screw
- Recommended torque:
20 Ncm: D 3,5/4,0
25 Ncm: D 4,5/5,0



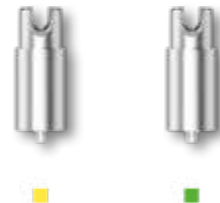
Implant connection	D 3,5/4,0	D 4,5/5,0
Diameter	11,5 mm	11,5 mm
Abutment screw	S 60	S 61
Laboratory screw	S 60 L	S 61 L
Article No.	S 9000-ST	S 9020-ST

Please note: This is used with Straumann/M-series.

» OT-Series « OSSTEM Implant TS-System HiOssen Implant®* ET-System T-Plus Implant Tech A+ Implant, ST Implant

TI-Forms-Abutment for M-Series

- Titanium Grade 5 CF
- incl. abutment screw
- Recommended torque:
20 Ncm: M
30 Ncm: R



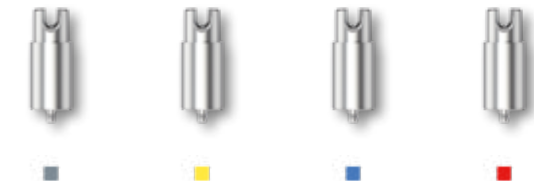
Implant connection	M	R
Diameter	11,5 mm	11,5 mm
Abutment screw	OT 60	OT 61
Laboratory screw	OT 60 L	OT 61 L
Article No.	OT 9000-ST	OT 9010-ST

Please note: This is used with Straumann/M-series.

» T-Series « DENTSPLY Implants XiVE®* S

TI-Forms-Abutment for M-Series

- Titanium Grade 5 CF
- incl. abutment screw
- Recommended torque: 25 Ncm



Implant connection	D 3,4	D 3,8	D 4,5	D 5,5
Diameter	11,5 mm	11,5 mm	11,5 mm	11,5 mm
Abutment screw	T 60	T 60	T 60	T 60
Laboratory screw	T 60 L	T 60 L	T 60 L	T 60 L
Article No.	T 9000-ST	T 9005-ST	T 9010-ST	T 9020-ST

Please note: This is used with Straumann/M-series.

» R-Series « Zimmer Dental Tapered Screw-Vent®* MIS SEVEN®* Internal Hex BioHorizons Tapered Internal/Tapered Internal Plus/Tapered Tissue Level

TI-Forms-Abutment for M-Series

- Titanium Grade 5 CF
- incl. abutment screw
- Recommended torque: 30 Ncm



Implant connection	D 3,5	D 4,5	D 5,7
Diameter	11,5 mm	11,5 mm	11,5 mm
Abutment screw	R 60	R 60	R 60
Laboratory screw	R 60 L	R 60 L	R 60 L
Article No.	R 9000-ST	R 9010-ST	R 9020-ST

Please note: This is used with Straumann/M-series.

» Y-Series « DENTSPLY Implants ANKYLOS®* C/X

TI-Forms-Abutment for M-Series

- Titanium Grade 5 CF
- incl. abutment screw
- Recommended torque: 15 Ncm



Implant connection	/X 3,5-7,0
Diameter	11,5 mm
Abutment screw	
Laboratory screw	
Article No.	Y 9000X-ST

Please note: This is used with Straumann/M-series.

TI-Forms-Abutment for M-Series

- Titanium Grade 5 CF
- incl. abutment screw
- Recommended torque:
15 Ncm: NI
25 Ncm: RI



Implant connection	NI	RI
Diameter	11,5 mm	11,5 mm
Abutment screw	1-06-01	2-06-03
Laboratory screw	1-06-02	2-06-04
Article No.	1-90-05-ST	2-90-07-ST
Please note: This is used with Straumann/M-series.		



Editor: MEDENTiKA® GmbH
 Hammweg 8-10
 76549 Hügelsheim
 Tel: +49 (0)7229 69912-10
 info@medentika.de
 www.medentika.com

Design: Der WeberFink GbR
 Büro für grafische Gestaltung
 www.weberfink.de

As at: February 2020

We are certified:
DIN EN ISO 13485
Medizinprodukterichtlinie 93/42/EEC,
Annex II

CE0483

Technical changes and errors reserved.

You can find the Instructions for use and warranty conditions on the website www.medentika.com.

More information on the warranty can also be requested directly from the manufacturer.

*is a registered trademark of an independent third party

MEDENTiKA® GmbH
Hammweg 8-10
76549 Hügelshheim
info@medentika.de
www.medentika.com

»» Passion for
Precision ««