

| | Ø3.75 mm | Ø4.0 mm | Ø4.5 mm | Ø5.0 mm | Ø5.5 mm | Ø6.5 mm |
|-------|--|---|---|--|--|--|
| | BLX RB (Regular Base) Ø3.75 mm 061.4312 | BLX RB (Regular Base) Ø4.0 mm 061.5312 | BLX RB (Regular Base) Ø4.5 mm 061.6312 | BLX WB (Wide Base) Ø5.0 mm 061.7312 | BLX WB (Wide Base) Ø5.5 mm 061.8312 | BLX WB (Wide Base) Ø6.5 mm 061.9312 |
| 6 mm | — | — | 061.6306 | 061.7306 | 061.8306 | 061.9306 |
| 8 mm | 061.4308 | 061.5308 | 061.6308 | 061.7308 | 061.8308 | 061.9308 |
| 10 mm | 061.4310 | 061.5310 | 061.6310 | 061.7310 | 061.8310 | 061.9310 |
| 12 mm | 061.4312 | 061.5312 | 061.6312 | 061.7312 | 061.8312 | 061.9312 |
| 14 mm | 061.4314 | 061.5314 | 061.6314 | 061.7314 | — | — |
| 16 mm | 061.4316 | 061.5316 | 061.6316 | 061.7316 | — | — |
| 18 mm | 061.4318 | 061.5318 | 061.6318 | 061.7318 | — | — |



| Drill No. 1 (Pilot Drill) | Drill No. 2 | Drill No. 3 | Drill No. 4 | Drill No. 5 | Drill No. 6 | Drill No. 7 | Drill No. 8 | Drill No. 9 |
|---------------------------------|---------------------------------|---------------------------------|---------------------------------|---------------------------------|---------------------------------|---------------------------------|---------------------------------|---------------------------------|
| Ø2.2 mm | Ø2.8 mm | Ø3.2 mm | Ø3.5 mm | Ø3.7 mm | Ø4.2 mm | Ø4.7 mm | Ø5.2 mm | Ø6.2 mm |
| Short, L 34 mm Long, L 42 mm | Short, L 34 mm Long, L 42 mm | Short, L 34 mm Long, L 42 mm | Short, L 34 mm Long, L 42 mm | Short, L 34 mm Long, L 42 mm | Short, L 34 mm Long, L 42 mm | Short, L 34 mm Long, L 42 mm | Short, L 34 mm Long, L 42 mm | Short, L 34 mm Long, L 42 mm |
| 066.1301 066.1701 | 066.1302 066.1702 | 066.1303 066.1703 | 066.1304 066.1704 | 066.1305 066.1705 | 066.1306 066.1706 | 066.1307 066.1707 | 066.1308 - | 066.1309 - |
| Alignment Pin 046.799 | Depth Gauge 046.800 | Depth Gauge 046.801 | Depth Gauge 046.802 | Depth Gauge 046.803 | Depth Gauge 046.804 | Depth Gauge 046.805 | Depth Gauge 046.806 | Depth Gauge 046.807 |

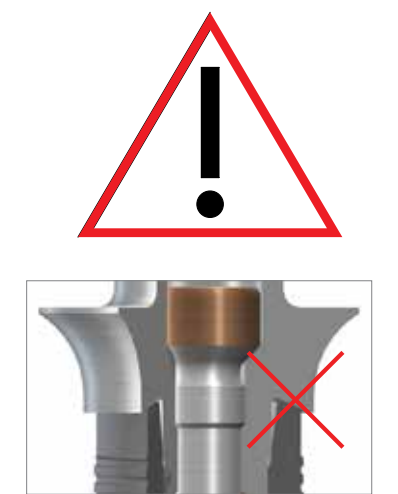
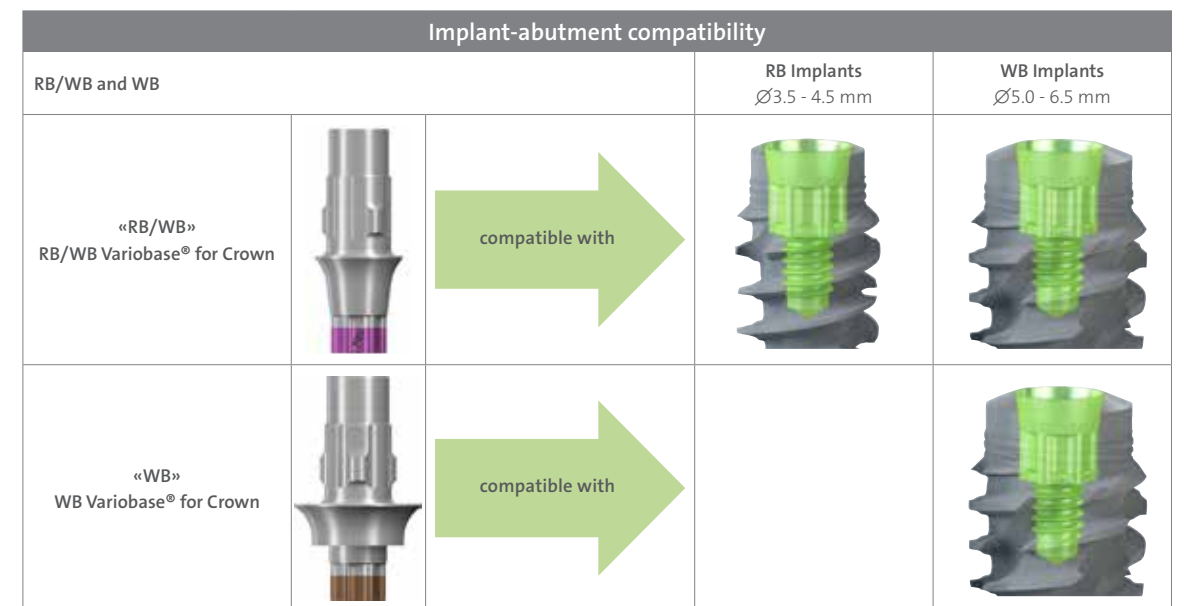


| Healing Abutments for Crown, + AH 2 mm | | | | Healing Abutments for Crown, + AH 4 mm | | | |
|--|-----------|-----------|-----------|--|-----------|-----------|-----------|
| Diameter (Ø) | | | | Diameter (Ø) | | | |
| GH | Ø4.0 mm | Ø5.0 mm | Ø6.5 mm | GH | Ø4.0 mm | Ø5.0 mm | Ø6.5 mm |
| 1.5 mm | 064.4202S | 064.4212S | 064.4222S | 1.5 mm | 064.4203S | 064.4213S | 064.4223S |
| 2.5 mm | 064.4204S | 064.4214S | 064.4224S | 2.5 mm | 064.4205S | 064.4215S | 064.4225S |
| 3.5 mm | 064.4206S | 064.4216S | - | 3.5 mm | 064.4207S | 064.4217S | - |

| Healing Abutments for Crown, + AH 2 mm | | | | Healing Abutments for Crown, + AH 4 mm | | | |
|--|-----------|-----------|-----------|--|-----------|-----------|-----------|
| Diameter (Ø) | | | | Diameter (Ø) | | | |
| GH | Ø4.0 mm | Ø5.0 mm | Ø6.5 mm | GH | Ø4.0 mm | Ø5.0 mm | Ø6.5 mm |
| 1.5 mm | 064.4202S | 064.4212S | 064.4222S | 1.5 mm | 064.4203S | 064.4213S | 064.4223S |
| 2.5 mm | 064.4204S | 064.4214S | 064.4224S | 2.5 mm | 064.4205S | 064.4215S | 064.4225S |
| 3.5 mm | 064.4206S | 064.4216S | - | 3.5 mm | 064.4207S | 064.4217S | - |

| Healing Abutments for Crown – Wide Profile, + AH 2 mm | | | Healing Abutments for Crown – Wide Profile, + AH 4 mm | | |
|---|-----------|-----------|---|-----------|-----------|
| Diameter (Ø) | | | Diameter (Ø) | | |
| GH | Ø6.0 mm | Ø7.5 mm | GH | Ø6.0 mm | Ø7.5 mm |
| 0.75 mm | 064.8201S | 064.8203S | 0.75 mm | 064.8202S | 064.8204S |
| 1.5 mm | 064.8212S | 064.8214S | 1.5 mm | 064.8213S | 064.8215S |

| | | | | | | | | | | | | | | | |
|-----------------------|--|----------|-------------|--|---------|---------------------|--|----------|------------------------------|--|-----------|------------------------------|--|---|----------|
| Torque Control Device | | 066.1100 | Holding Key | | 046.064 | Implant depth gauge | | 066.2000 | BL Bone Profiler 1 | | 026.0022 | RB/WB Abutment-Removal Screw | | for removal of damaged abutments, TAN, stainless steel | 065.0007 |
| Ratchet | | 046.119 | | | | | | | BL Bone Profiler 2 | | 026.0023 | Removal Tool | | for BLX Basal Screw, left-hand, length 27 mm, stainless steel | 065.0008 |
| | | | | | | | | | BL Bone Profiler 3 | | 026.0024 | | | for BLX Basal Screw, left-hand, length 21 mm, stainless steel | 065.0009 |
| | | | | | | | | | Guiding Pin for BLX Implants | | 066.0025S | | | | |

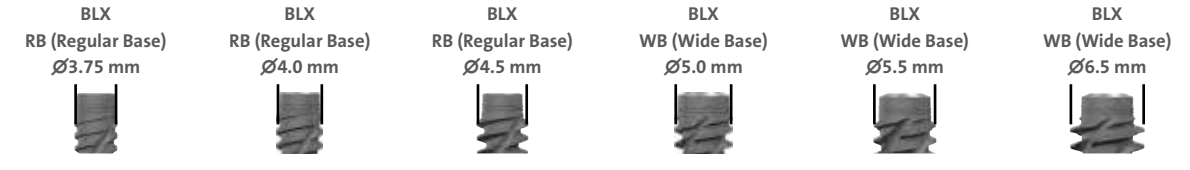


No WB abutments on RB implants!

Straumann North American Headquarters
Straumann USA, LLC
60 Minuteman Road
Andover, MA 01810
Phone 800/448 8168 (US) • 800/363 4024 (CA)
Fax 978/747 2490
www.straumann.us • www.straumann.ca

RB/WB prosthetics – fit on RB and WB implants (∅3.75 mm - ∅6.5 mm)

- crowns with slim emergence profiles
- bridges



Temporary Abutments for Crown

| | | ∅3.8 mm (RB/WB) | ∅4.5 mm (RB/WB) | ∅6.0 mm (RB/WB) |
|----|--------|-----------------|-----------------|-----------------|
| GH | 1.5 mm | 064.4362 | 064.4372 | - |
| | 2.5 mm | 064.4363 | 064.4373 | 064.4382 |
| | 3.5 mm | 064.4364 | 064.4374 | 064.4383 |

Variobase® for Crown

| | | ∅3.8 mm (RB/WB) | ∅4.5 mm (RB/WB) |
|----|--------|-----------------|-----------------|
| GH | 1.5 mm | 062.4934 | 062.4944 |
| | 2.5 mm | 062.4935 | 062.4945 |
| | 3.5 mm | 062.4936 | 062.4946 |

Burn-out Copings for Variobase® for Crown

| | | ∅3.8 mm (RB/WB) | ∅4.5 mm (RB/WB) |
|--|--|-----------------|-----------------|
| | | 065.0014 | 065.0015 |

Basal Screw

| | | |
|--|--|----------|
| | | 065.0036 |
|--|--|----------|

Burn-out Copings for Variobase® for Crown AS

| | | ∅4.5 mm (RB/WB) |
|--|--|-----------------|
| | | 065.0018 |

Basal Screw AS

| | | |
|--|--|----------|
| | | 065.0037 |
|--|--|----------|

Burn-out Copings for Variobase® for Bridge/Bar Cylindrical

| | | ∅4.5 mm (RB/WB) |
|--|--|-------------------------|
| | | 065.0017, 065.0017V4 |

Basal Screw

| | | |
|--|--|----------|
| | | 065.0036 |
|--|--|----------|

WB prosthetics – fit only on WB implants (∅5.0 mm - ∅6.5 mm)

- crowns with wide emergence profiles



Temporary Abutments for Crown

| | | ∅5.5 mm (WB) | |
|----|---------|--------------|--|
| GH | 0.75 mm | 064.4391 | |
| | 1.5 mm | 064.4392 | |
| | 2.5 mm | - | |
| | 3.5 mm | - | |

Variobase® for Crown

| | | ∅5.5 mm (WB) | |
|----|---------|--------------|--|
| GH | 0.75 mm | 062.4953 | |
| | 1.5 mm | 062.4954 | |
| | 2.5 mm | - | |
| | 3.5 mm | - | |

Burn-out Copings for Variobase® for Crown

| | | ∅5.5 mm (WB) | |
|--|--|--------------|--|
| | | 065.0016 | |

Basal Screw

| | | |
|--|--|----------|
| | | 065.0036 |
|--|--|----------|

Burn-out Copings for Variobase® for Crown AS

| | | ∅5.5 mm (WB) | |
|--|--|--------------|--|
| | | 065.0019 | |

Basal Screw AS

| | | |
|--|--|----------|
| | | 065.0037 |
|--|--|----------|

Screw-retained Abutments

| | | ∅4.6 mm (RB/WB) | | |
|--------|-----------|-----------------|-----------|-----|
| GH | Angle | 0° | 17° | 30° |
| | 0.75 mm | - | - | - |
| 1.5 mm | 062.47225 | - | - | - |
| 2.5 mm | 062.47235 | - | - | - |
| 3.5 mm | 062.47245 | 062.47335 | 062.47435 | |
| 4.5 mm | 062.47255 | 062.47345 | 062.47445 | |
| 5.5 mm | - | 062.47355 | 062.47455 | |

Closed-tray Impression for Screw-retained Abutments

| | | ∅4.6 mm | |
|-------|------------|----------|--|
| Crown | | 025.2246 | |
| | Bridge/Bar | 025.0014 | |

Open-tray Impression for Screw-retained Abutments

| | | ∅4.6 mm | |
|-------|------------|----------|--|
| Crown | | 025.2244 | |
| | Bridge/Bar | 025.0012 | |

Burn-out Copings, Plastic

| | | ∅4.6 mm | |
|-------|--------|----------------------|--|
| Crown | | 023.4748 | |
| | Bridge | 023.4758 | |
| | | incl. screw 023.4763 | |

Burn-out Coping for Variobase® for Bridge/Bar Cylindrical Coping

| | | ∅4.6 mm | |
|--|--|----------|--|
| | | 023.0032 | |

Variobase® for Bridge/Bar Cylindrical

| | | ∅4.6 mm | |
|-------|--------|----------------------|--|
| Crown | | 023.4747 | |
| | Bridge | 023.4751 | |
| | Bar | 023.4752 | |
| | | incl. screw 023.4763 | |

Titanium Copings

| | | ∅4.6 mm | |
|-------|--------|----------------------|--|
| Crown | | 023.4747 | |
| | Bridge | 023.4751 | |
| | Bar | 023.4752 | |
| | | incl. screw 023.4763 | |

Gold Copings

| | | ∅4.6 mm | |
|-------|--------|----------------------|--|
| Crown | | 023.4753 | |
| | Bridge | 023.4754 | |
| | Bar | 023.4755 | |
| | | incl. screw 023.4763 | |

Occlusal Screw

| | | |
|--|--|----------|
| | | 023.4763 |
|--|--|----------|

Lab Processing Screw

| | | |
|--|--------|----------|
| | L 20mm | 025.0006 |
| | L 10mm | 025.0052 |

Anatomic Abutments

| | | ∅6.0 mm (RB/WB) | |
|--------|----------|-----------------|----------|
| GH | Angle | 0° | 17° |
| | 2.5 mm | 062.4103 | 062.4153 |
| 3.5 mm | 062.4104 | 062.4154 | |

CARES® Abutments

| | | WB | |
|----------|--|----|--|
| TAN | | | |
| Gold Hue | | | |
| CoCr | | | |

Individually CAD/CAM manufactured