

STRAUMANN® **BLX** IMPLANT SYSTEM

Confidence beyond Immediacy.



A black and white close-up photograph of a man's face, focusing on his eyes and nose. He is wearing dark-rimmed glasses. The lighting is dramatic, with strong highlights and deep shadows, creating a professional and focused atmosphere. The background is dark, making the subject stand out.

A NEXT GENERATION SOLUTION FOR CONFIDENCE BEYOND **IMMEDIACY.**

Straumann® BLX has been designed for immediacy, and is also suitable for all other treatment protocols, ranging from immediate to conventional placement and loading, to suit the dentist's preference.

Straumann® BLX with Dynamic Bone Management has been specifically developed to make immediate protocols achievable, predictable and minimally invasive in all bone types. It delivers real confidence in and for dentists through the combination of legacy, Swiss premium quality, precision and pioneering innovation backed by long-term scientific evidence.

With its esthetic ease concept comprising one connection with slim and under-contoured prosthetic components, the entire portfolio is simple without compromising on versatility. Straumann® BLX System lets you discover and capitalize on new business opportunities by using chair-time more efficiently to treat more patients with confidence.



DYNAMIC BONE MANAGEMENT

Redistribution of native bone and control over insertion torque to achieve optimal primary stability.



ESTHETIC EASE CONCEPT

Simplified but versatile portfolio, featuring one connection and under-contoured prosthetics.



REAL CONFIDENCE

Swiss precision and quality with Roxolid® material and SLActive® surface.

For immediate protocols I want products that provide me with peace of mind in demanding clinical situations. Straumann® BLX Implants with Roxolid® and SLActive® give me that confidence. BLX is exciting because it extends the treatment options we can offer with Straumann® products. It's a new era of implant treatment.

Dr. Eirik Salvesen, Stavanger, Norway.

STRAUMANN® BLX SYSTEM HIGHLIGHTS

BLX delivers real confidence through the combination of unique functional design with our high-performance Roxolid® material and the clinically proven SLActive® surface to deliver real confidence backed by long-term scientific evidence.

1 NEW SRA DESIGN

Straumann® Screw Retained Abutments (SRA) with slim and under contoured profiles

- Preserves bone around angulated abutments
- Provides more space for soft tissue

2 STRAUMANN® VELODRILL™

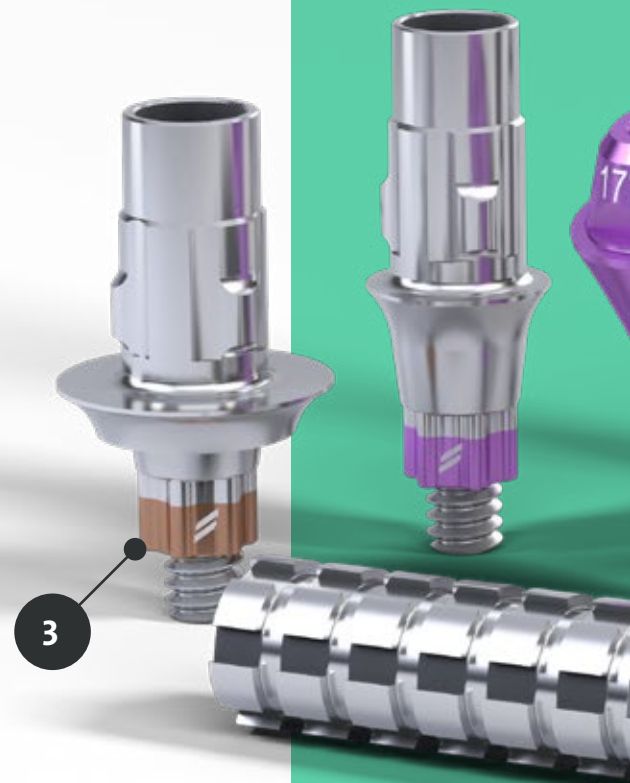
Low temperature drilling and shared instrumentation for freehand and guided surgery

- Pilot-to-final guided surgery protocol shortens chair time
- Minimizes heat generation and avoids overheating surrounding tissues
- Precise depth control with single use drill stops

3 WIDE EMERGENCE PROFILE OPTION

For large molar crowns on WideBase implants

- Provides flexibility with a free choice of implant regardless of prosthetic volume to restore
- Straightforward soft tissue conditioning





4 BLX Ø 3.75 MM IMPLANT

Approved for all indications for bone preserving protocols with reduced diameter implants
→ Slim core and fully tapered implant design enable bone-preserving protocols

5 NEW TORCFIT™ CONNECTION

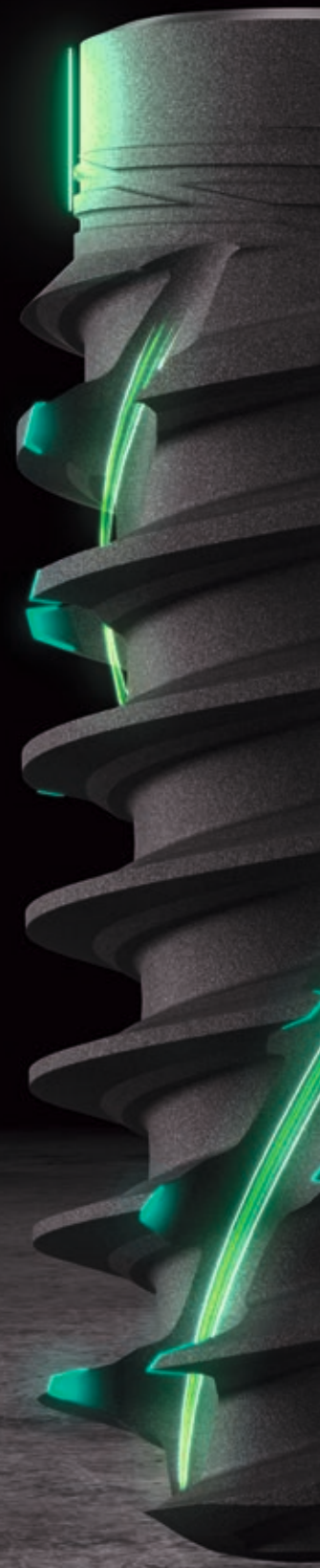
One connection for all diameters
→ Hybrid internal conical connection
→ Delivers high flexibility and high strength

DYNAMIC BONE MANAGEMENT

The intelligent implant concept developed for optimal primary stability and immediate protocols in all bone types.



Dynamic Bone Management around the implant





- 1 REDUCED NECK DIAMETER**
Designed to reduce stress on crestal bone and to facilitate slightly subcrestal implant placement
- 2 VARIABLE THREAD DESIGN**
Thin and progressive thread design for high primary stability and efficient insertion
- 3 BI-DIRECTIONAL CUTTING ELEMENTS**
Designed for reverse and forward cutting control and flexibility during implant insertion
- 4 FULL LENGTH DYNAMIC CHIP FLUTE**
Collects and condenses native bone chips and distributes them around the implant body
- 5 SLIM AND FULLY TAPERED IMPLANT CORE**
Allows for small and undersized osteotomy
- 6 DEEP APICAL THREADS**
Large anchoring surface for immediate engaging and stability

ESTHETIC EASE CONCEPT

Simplified but versatile portfolio, featuring one connection and under-contoured prosthetics to deliver natural esthetics with ease.

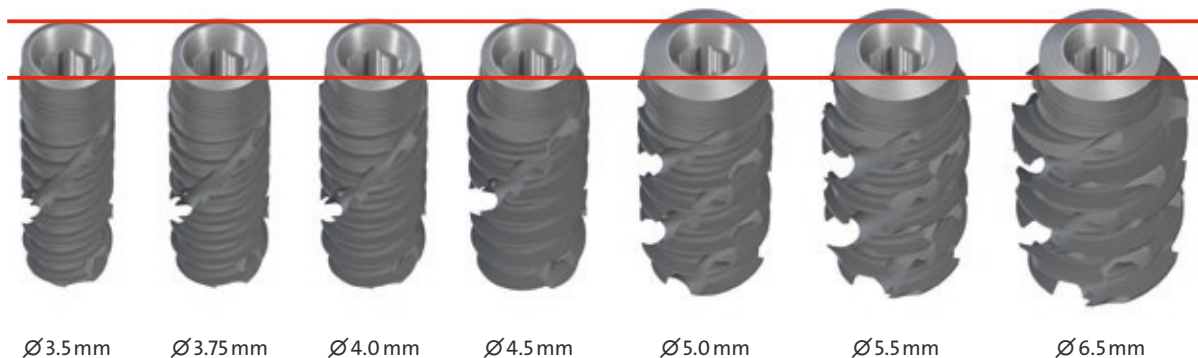
SIMPLICITY AND VERSATILITY

Consistent emergence profile enables straightforward soft tissue conditioning. Wide emergence profile option available for large molar crowns on WideBase implants. Thanks to the new SRA design, slim and under-contoured profiles enable maximum soft tissue preservation.



ONE CONNECTION

One prosthetic line for all implant diameters enhances simplicity and streamlines workflows.

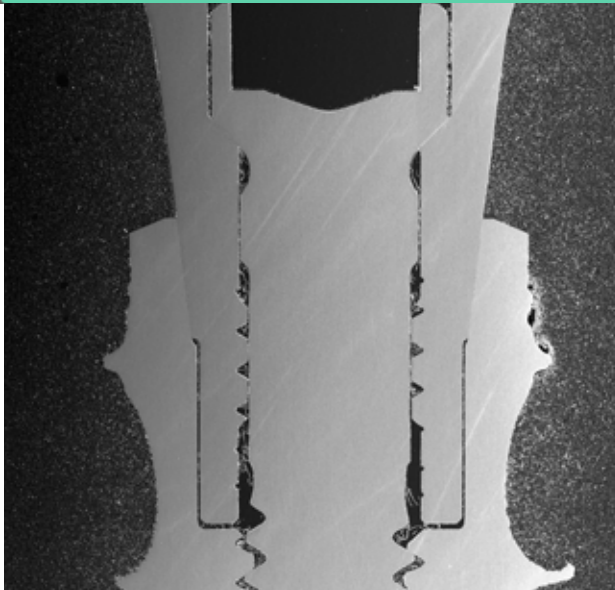




TORCFIT™ CONNECTION

Tight sealing and high stability even in reduced diameters. As a result, there is less likelihood of bacterial infiltration.

Abutment screw engages in implant only if correctly seated. So less hassle to confirm proper seating by x-ray.



REAL CONFIDENCE

Swiss precision and quality with innovative technologies backed by long-term scientific evidence. Designed for predictable results you can trust.



Roxolid®

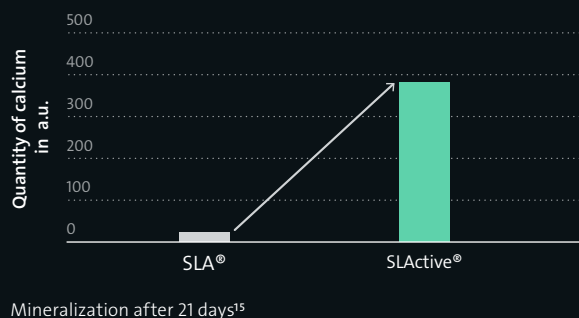
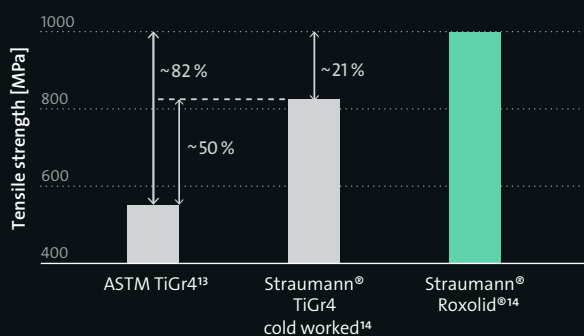
- Reducing invasiveness with smaller implants
- Preserves vital structures and vascularization^{1,2}
- Increases treatment options in challenging anatomical situations and narrow interdental spaces^{2,3}



SLActive®

- Reduces initial healing time to 3–4 weeks^{*4–9}
- 98.2% implant survival rate in immediate loading after 10 years¹⁰
- Enhanced bone regeneration even at compromised sites^{11,12}
- 100% implant survival rate in irradiated patients with compromised bone after 5 years¹³

*Healing time defined by BIC and stability.



STRAUMANN® CARES® DIGITAL SOLUTIONS

coDiagnostiX®

- More than an implant planning software, coDiagnostiX® is a practice differentiator.
- Enables precise and easy planning for predictable results from simple to advanced cases
- Offers numerous functions, e.g. drill-guide design, automatic nerve-canal detection and distance monitoring

CARES® Visual

- Open-design software solution
- Compatible with intraoral scanners, impression scanners and milling machines
- Supports a wide range of applications
- Allows for input and output of STL for third-party systems

STRAUMANN® BIOMATERIALS

Advanced solutions for immediate treatment protocols:

- **Straumann® XenoGraft:** Natural, bovine bone substitute for extended stability
- **Jason® membrane:** Thin and tear-resistant membrane with a long barrier function, derived from native collagen from porcine pericardium
- **Mucoderm®:** Stable, easy-to-handle collagen matrix derived from porcine dermis for soft-tissue augmentation; it reduces morbidity and increases patient comfort compared to autogenous grafts



Comprehensive implant portfolio – for every indication the right implant.

TorqFit™ Connection

	RB – Regular Base					WB – Wide Base		
	Ø2.9**	Ø3.5	Ø3.75	Ø4.0	Ø4.5	Ø5.0	Ø5.5	Ø6.5
6 mm			•	•	•	•	•	•
8 mm		•	•	•	•	•	•	•
10 mm	•	•	•	•	•	•	•	•
12 mm	•	•	•	•	•	•	•	•
14 mm	•	•	•	•	•	•		
16 mm		•	•	•	•	•		
18 mm		•	•	•	•	•		

All indications from Ø3.75 upwards

** Straumann® BLT SDI

Straumann® Modular Cassette – a cassette that grows with you.



STRAUMANN® BLX FOR CONFIDENCE BEYOND IMMEDIACY.

- The winning combination of innovative design and surface technology with high-performance material
- Combines strength, healing power and primary stability
- Flexible and simplified workflows
- Predictable outcomes with results you can trust

REFERENCES

1 Ioannidis A, Gallucci GO, Jung RE, Borzangy S, Hämmerle CH, Benic GI. Titanium-zirconium narrow-diameter versus titanium regulardiameter implants for anterior and premolar single crowns: 3-year results of a randomized controlled clinical study. *J Clin Periodontol*. 2015 Nov;42(11):1060-70. doi:10.1111/jcpe.12468. Epub 2015 Nov 14. 2 Al-Nawas B, Domagala P, Fragola G, Freiburger P, Ortiz- Vigón A, Rousseau P, Tondela J. A Prospective Noninterventive Study to Evaluate Survival and Success of Reduced Diameter Implants Made From Titanium-Zirconium Alloy. *J Oral Implantol*. 2015 Aug;41(4):e118-25. doi: 10.1563/ AAID-JOI-D-13-00149. Epub 2014 Mar 25. 3 Altuna P, Lucas-Taulé E, Gargallo-Albiol J, Figueras-Álvarez O, Hernández-Alfaro F, Nart J. Clinical evidence on titanium-zirconium dental implants: a systematic review and meta-analysis. *Int J Oral Maxillofac Surg*. 2016 Jul;45(7):842-50. doi: 10.1016/j.ijom.2016.01.004. Epub 2016 Feb 3. 4 Raghavendra, S., M.C. Wood, and T.D. Taylor, Early wound healing around endosseous implants: a review of the literature. *Int J Oral Maxillofac Implants*, 2005. 20(3): p. 425-31. 5 Lang, N.P., et al., Early osseointegration to hydrophilic and hydrophobic implant surfaces in humans. *Clin Oral Implants Res*, 2011. 22(4): p. 349-56. 6 Oates, T.W., et al., Enhanced implant stability with a chemically modified SLA surface: a randomized pilot study. *Int J Oral Maxillofac Implants*, 2007. 22(5): p. 755-60. 7 Nicolau, P., et al., 10-year outcomes with immediate and early loaded implants with a chemically modified SLA surface. *Quintessence Int*. 2019 Jan 25;50(2):p. 114-124. 8 Reis, R., et al., Immediate versus early loading protocols of titanium-zirconium narrow-diameter implants for mandibular overdentures in edentulous patients: 1-year results from a randomized controlled trial. *Clin Oral Implants Res*. 2019 Oct;30(10):953-961. 9 Eckert, S.E., et al., Immediately Loaded Fixed Full-Arch Implant-Retained Prosthesis: Clinical Analysis When Using a Moderate Insertion Torque. *Int J Oral Maxillofac Implants*. 2019 May/June;34(3):737-744. 10 Nicolau P, Guerra F, Reis R, Krafft T, Benz K, Jackowski J 10-year results from a randomized controlled multicenter study with immediately and early loaded SLActive implants in posterior jaws. Presented at 25th Annual Scientific Meeting of the European Association of Osseointegration – 29 Sep – 1 Oct 2016, Paris. 11 El Chaar E, Zhang L, Zhou Y, et al. Osseointegration of Superhydrophilic Implants Placed in Defect Grafted Bones. *International Journal of Oral & Maxillofacial Implants*. Mar/Apr2019, Vol. 34 Issue 2, p443-450 12 Schwarz, F., et al., Bone regeneration in dehiscence-type defects at chemically modified (SLActive®) and conventional SLA® titanium implants: a pilot study in dogs. *J Clin.Periodontol*. 34.1 (2007): 78-86 13 Nelson, K., Stricker, A., Raguse, J.-D. and Nahles, S. (2016), Rehabilitation of irradiated patients with chemically modified and conventional SLA implants: a clinical clarification. *J Oral Rehabil*, 43: 871-872. doi:10.1111/joor.12434. 14 Norm ASTM F67 (states min. tensile strength of annealed titanium); data on file for Straumann cold-worked titanium and Roxolid® implants. 15 Maniura K. Laboratory for Materials – Biology Interactions Empa, St. Gallen, Switzerland. Protein and blood adsorption on Ti and TiZr implants as a model for osseointegration. EAO 22nd Annual Scientific Meeting; October 17-19; 2013; Dublin.



International Headquarters

Institut Straumann AG

Peter Merian-Weg 12

CH-4002 Basel, Switzerland

Phone +41 (0)61 965 11 11

Fax +41 (0)61 965 11 01

www.straumann.com

© Institut Straumann AG, 2023. All rights reserved.

Straumann® and/or other trademarks and logos from Straumann® mentioned herein are the trademarks or registered trademarks of Straumann Holding AG and/or its affiliates.

 **straumann**